



## R 系列固定动力型柴油机零件图册

### 前 言

R 系列柴油机为四冲程、水冷、直列、直喷、燃烧室高速柴油机，是英国里卡多 (RICARDO) 公司为我国设计并与我公司联合研制的国内同类型柴油机的换代产品，具有良好的动力性、经济性、起动性能，可靠性好，寿命达到世界同类产品先进水平。

该系列柴油机有缸径为 105mm 的三、四、六缸和缸径为 108mm、110mm 的四、六缸自然吸气和增压十缸机型，在此基础上根据使用要求对部分零件作相应变动后形成系列机型，可广泛运用于各种机型。

三

四

同一机型形状相近且安装在同一零件上的零件，只画一件，其余零件不画出，其标号带括号。

外购的部分其型号标在表中相应部件代号的下方，并带括号。

不同机型的同样零件只画一个。

管路可以只画两端，中间断开，如不能用中心线相连，则要同时在二端标出同一标号。被管路连接的零件如系另一总成，用细实线画出被连结零件的局部图形，特殊情况可以用文字注明连接何零件。

在柴油机型号栏中，空白格为基本型，“Z”“T”“G”“D”等为结构特性符号或用途特征符号，如，R4105ZT,代表 R 系列 4 缸，缸径 105mm，涡轮增压拖拉机用柴油机。

因产品在不断改进和开发，在本图册中印出之后的零件变动不可能及时反映，敬请用户注意。

本图册由付曙光、孙长义、徐传江、周茂森、童顺波、邵明鹏、胡来宾、王国辉、郑岩、付游、孙旭旭编写，窦玉香审核，鲍志超审定。

由于编写者水平所限，缺点错误在所难免，恳请读者指正。

编者

二零一三年八月

## R Series Diesel Engine Parts Catalogue For Power Take Off Unit

### PREFACE

R series diesel engine is a family of high speed engine of four-stroke, water-cooled, in-line direct injection and  $\omega$  type chamber. It is a new generation product that designed by RICARDO and developed by RICARDO and Weifang Diesel Engine Limited Company, with good dynamic characteristics, fuel economy as well as excellent starting performance, the reliability and service life of the R series engines have reached the advanced world level among the products of the kind.

R series includes 3、4 and 6-cylinder with bore of 105mm, 4 and 6-cylinder with bore of 108mm and 110mm, general purpose diesel engines with natural aspiration and turbocharging type. According to the requirements, various versions of R series can be developed by modifying some parts so as to be used for different applications, such as tractors, trucks, combine-harvesters, construction machineries, generator sets and water conservancy facilities, fishing boats and so on.

For the convenience of operation and maintenance of the diesel engines, we compile this comprehensive parts catalogue which includes many kinds of model. The compiling principle is as follow:

1. The parts with same functions but different shape will be listed together. The continuous line indicates the assembling relations of the common parts while dash line indicates the variant parts. The relative position of the parts is in concordance with the actual situation.
2. For the parts fitted in same subassembly, with same functions and similar in shape, only one piece is shown, while the others are listed in the brackets.
3. The types of components outsourced are indicated under the corresponding parts codes in brackets in the table.
4. Only one of the similar parts of various engine types is described.
5. The ends of pipe are to be drawn with the label papers with no intersection in middle. If the two ends can not be connected by centre line, the same marks should be made in two ends. If the part connected by a pipe belongs to other assembly, the partial

drawing of the connected part is described with fine continuous line. In special case, the connected parts can be marked by words.

6. In model column of this parts catalog, blank space indicates the primary model, and “Z”, “T”, “G”, “D” etc. stand for the structure and application of engines. For instance, “R4105ZT”, means R series, 4-cylinder, bore 105mm, turbocharged diesel engine, which is used for tractors.

Because of the continuous improvement and development of the products, the parts change after this catalogue releasing could not be reflected timely, so the users are requested to pay attention to this.

This parts catalogue is compiled by Shanghai Pao Chang Diesel Engine Co., Ltd. Shanghai, China. Shanghai Pao



11. 空滤器总成	
AIR CLEANER ASSEMBLY .....	29
12. 进气管总成	
AIR INLET MANIPOLD ASSEMBLY .....	32
13. 排气系统总成	





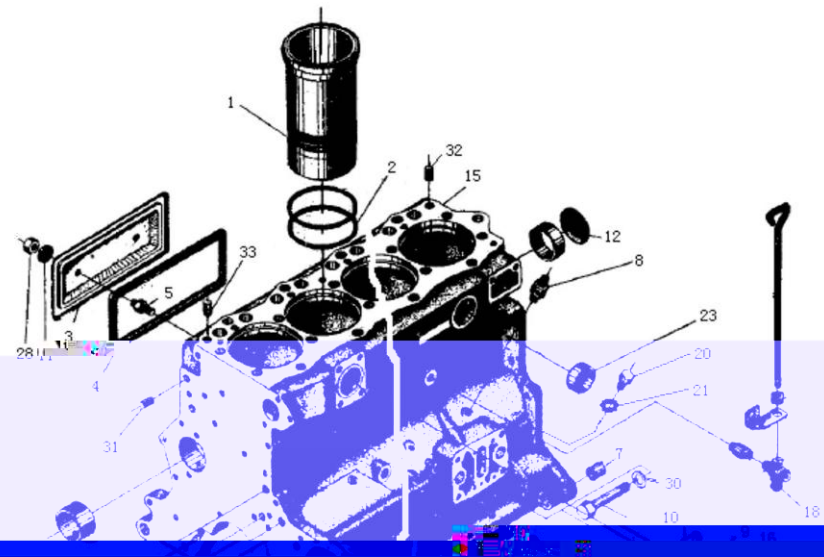
1. 气缸盖及罩总成  
CYLINDER HEAD & COVER ASSEMBLY

柴油机型号				R4105P	R4105ZP4	R4105ZP6	R6105P	R6105ZP1
Model								
供货号								
Delivery No.								
序号 Item	图号 Part No.	名称 Description	每台数量 Qty per set					
1	R01001Y-1	进气门	Inlet valve	4	4	4	6	6
2	R01002-1	排气门	Exhaust valve	4	4	4	6	6
3	R01004-1	气门弹簧上座	Valve spring upper retainer	8	8	8	12	12
4	R01005	气门锁夹	Valve lock	8	8	8	12	12
5	R01006	气门弹簧下座	Valve spring lower retainer	8	8	8	12	12
6	R01007	摇臂轴衬套	Rocking arm shaft bush	4	4	4	6	6
7	R01008	摇臂轴衬套	Rocking arm shaft bush	4	4	4	6	6
8	R01009	摇臂轴衬套	Rocking arm shaft bush	4	4	4	6	6
9	R01010	摇臂轴衬套	Rocking arm shaft bush	4	4	4	6	6
10	R01011	摇臂轴衬套	Rocking arm shaft bush	4	4	4	6	6
11	R01013	回水接头垫片	Gasket, water return pipe joint	1	1	1	1	1
12	R01015-1	进气门弹簧垫块	Bed plate, inlet valve spring	8	8	8	12	12
13	R01015	摇臂座螺柱	Stud, rocker arm seat	4	4	4	6	6
14	R01017	密封垫圈	Seal washer	4	4	4	6	6

		柴 油 机 型 号 Model		4RMP	R4105ZP4	R4105ZP6	R6105P	R6105ZP1	
供货号 Delivery No.									
图号 Part No.	名称 Description	每台数量 Qty per set						序号 Item	
R010018	喷油器压板螺柱	Clamping plate stud,injector	4	4	4	6	6	15	
R010022	进排气门内弹簧	Inner spring,inlet & exhaust valve	8	8	8	12	12	16	
R010023	进排气门外弹簧	Outer spring,inlet & exhaust valve	8	8	8	12	12	17	
R010024	气门油封	Valve oil seal	8	8	8	12	12	18	
R010025-A	盖形螺母	Acorn nut	4	4	4	6	6	19	
R010100Y	气缸盖机械加工部件	Cylinder head subassembly	1	1	1			20	
R010100Y	气缸盖机械加工部件	Cylinder head machined subassembly				1	1		
R010200	摇臂轴部件	Rocker arm shaft subassembly	1	1	1			21	
R010200	摇臂轴部件	Rocker arm subassembly				2	2		
R010400-2	回水接头焊接部件	Water return pipe joint				1			
R010400-3	回水接头	Water return pipe joint	1	1	1				
R01050001	法兰	Flange					1		
R010100	盖形螺母	Acorn plug	1	1	1	1	1		
R010100-1	气缸盖机械加工部件	Cylinder head machined subassembly							

柴油机型号		4RMP	R4105ZP4	R4105ZP4	R4105ZP4	R6105ZP4	
Model							
供货号							
Delivery No.							
序号 Item	图号 Part No.	名称 Description	每台数量 Qty per set				
29	4R110001-1	缸盖罩密封圈	Gasket,cylinder head cover	1	1	1	
	6R110001	气缸盖罩垫圈	Gasket,cylinder head cover				1
30	14×2.4GB1235-76	O型橡胶密封圈	"O" seal ring	1	1	1	1
31	M10×20GB5783	全螺纹六角头螺栓	Full thread hex bolt	6	6	6	6
32	M10×80GB5782	六角头螺栓	Hex bolt	4	4	4	6
33	10CB848-140HV-Zn.D	小垫圈	Small washer	14	14	14	18

机体总成  
CYLINDER BLOCK ASSEMBLY



## 2. 机体总成

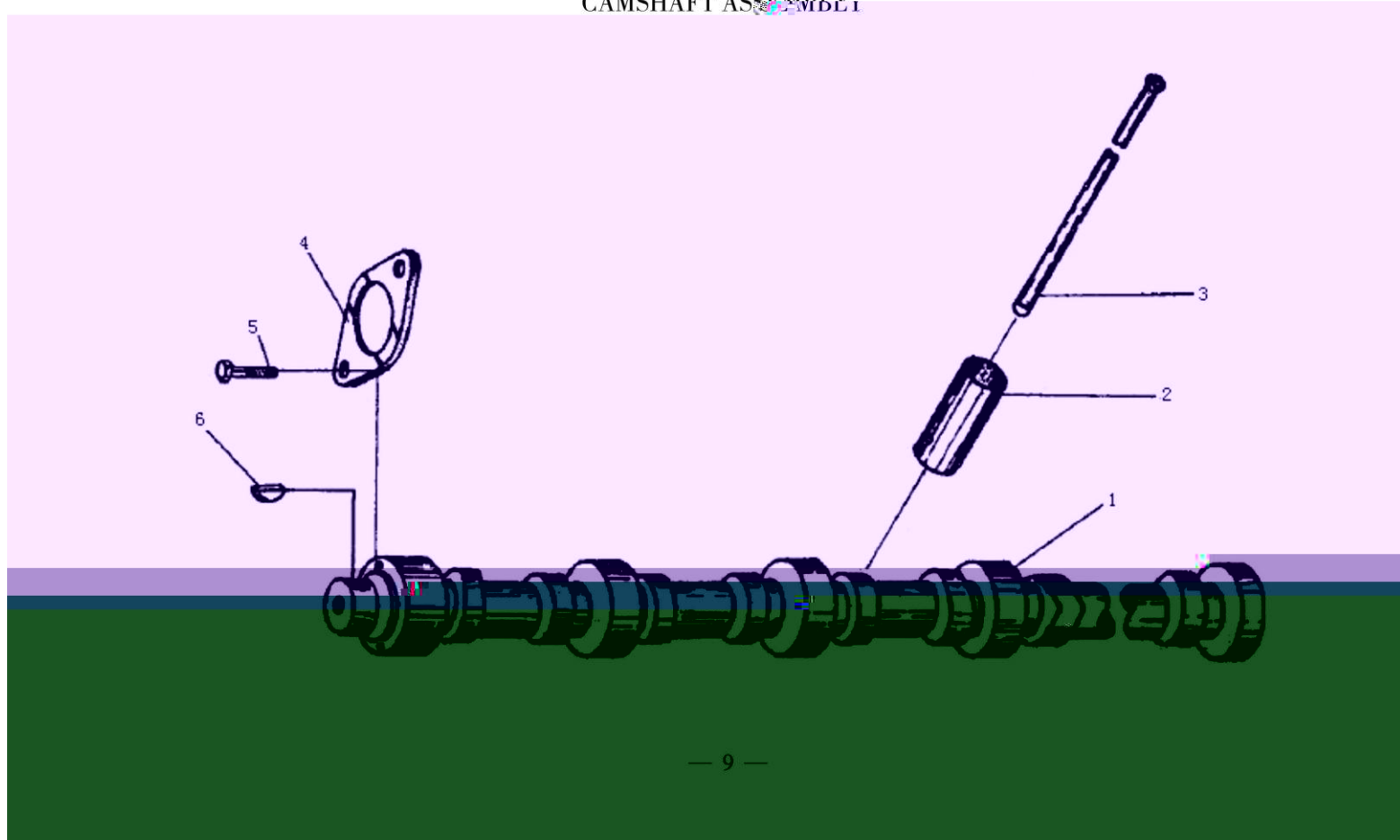
### CYLINDER BLOCK ASSEMBLY

柴油机型号 Model			4RMP	R4105ZP4	R4105ZP6	R6105P	R6105ZP1
供货号 Delivery No.							
序号 Item	图号 Part No.	名称 Description	每台数量 Qty per set				
1	R1020001	气缸套 Cylinder liner	4	4	4	6	6
2	R1020003	气缸套第二、三槽 O 型密封圈 "O" seal ring, 2nd & 3rd grooves	12	12	12	18	18
3	6R020008-A	前推杆室盖 Front pushrod chamber cover				1	1
	6R020009	推杆室盖垫片 Gasket, front pushrod chamber cover				1	1
4	495-01024b	侧盖板垫片 Side cover gasket	1	1	1		
	R020011	推杆室螺柱 Stud, pushrod chamber	4	4	4	6	6
6	R020012	主油压溢流阀回油管 Oil drain tube, overflow valve	1	1	1		
7	R020015	空心定位销 Hollow dowel pin	2	2	2	2	2
8	3R1G.2020016	油管接头 Oil pipe adapter	1	1	1	1	1
	4R1Z12020016	油管接头 Oil pipe adapter	1	1	1	1	1
9	4R11020017-A	供水接头座 Water supply joint seat				1	



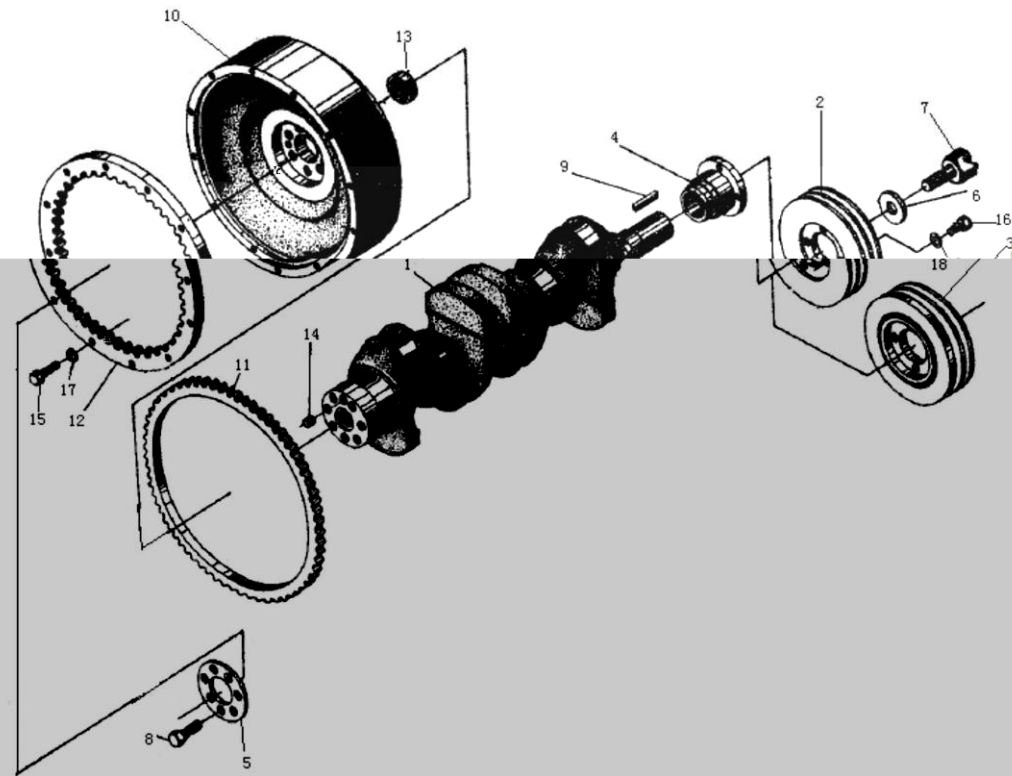


凸轮轴总成  
CAMSHAFT ASSEMBLY





曲轴飞轮总成  
CRANKSHAFT & FLYWHEEL ASSEMBLY



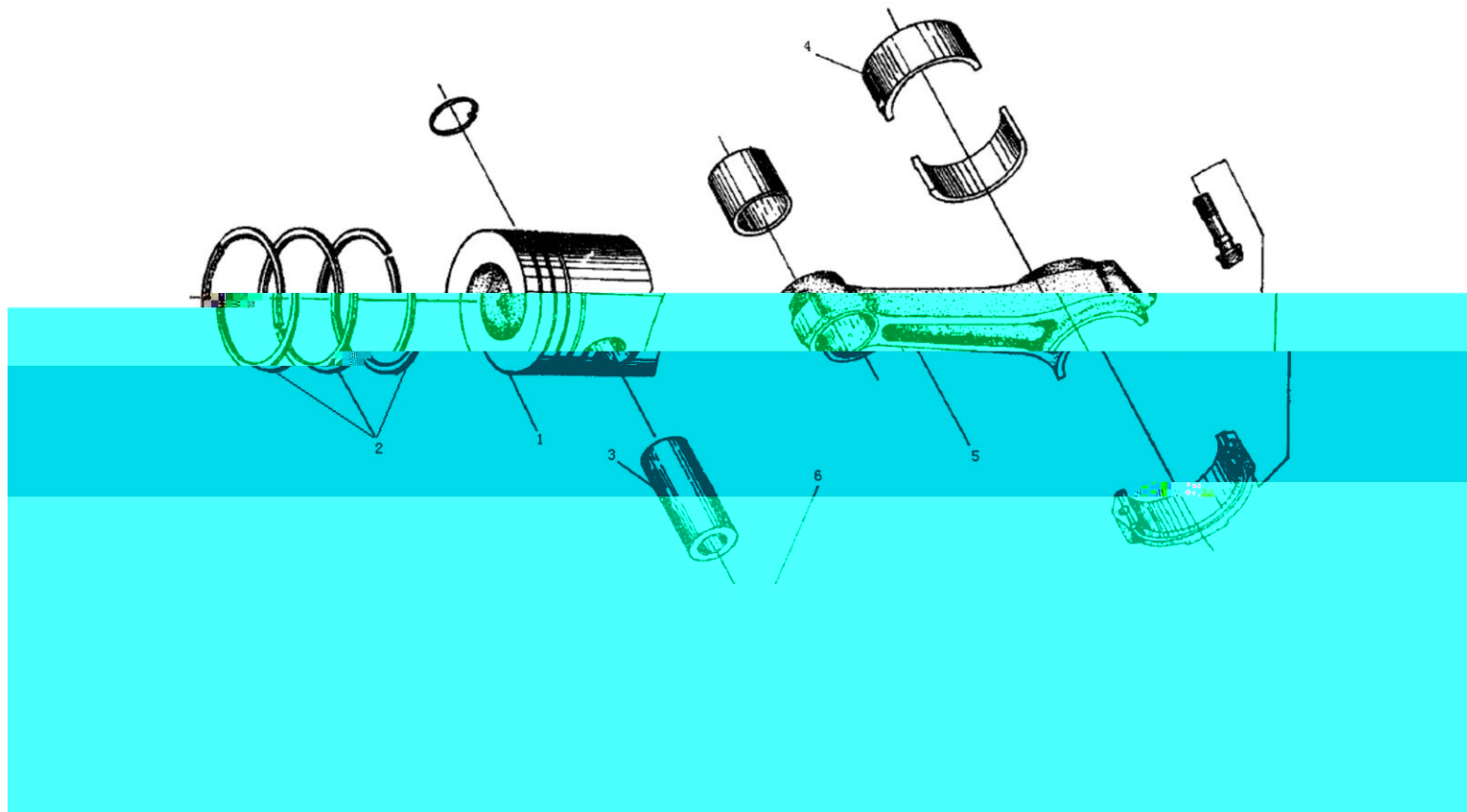
#### 4. 曲轴飞轮总成

#### CRANKSHAFT & FLYWHEEL ASSEMBLY

柴 油 机 型 号 Model				4RMP	R4105ZP4	R4105ZP6	R6105P	R6105ZP1
供 货 号 Delivery No.								
序号 Item	图号 Part No.	名 称 Description		每 台 数 量 Qty per set				
1	4R040001-D	曲轴	Crankshaft	1	1	1		
	R040001-D	曲轴	Crankshaft				1	1
2	R040003-A	曲轴皮带轮	Pulley,crankshaft	1	1	1	1	
3	6R040200	扭振减振器部件	Vibration damper					1
4	R040004-B	曲轴皮带轮轮毂	Hub,crankshaft pulley	1	1	1	1	1
5	R040005	飞轮螺栓垫板	Plate,flywheel bolt		1	1	1	1
6	R040007-A	曲轴皮带轮挡圈	Retainer ring,crankshaft	1	1	1	1	1
7	R040008-C	起动爪	Starting dog	1	1	1	1	1
8	R040009-1	飞轮螺栓	Flywheel bolt	7	7	7	7	7
9	R040015	半圆键	Woodruff key	1	1	1	1	1
10	R1P040101	飞轮	Flywheel	1	1	1	1	1
11	R040102	飞轮齿圈	Ring gear,flywheel	1	1	1	1	1
12	R1P040024	传动内齿圈	Driving inner ring gear	1	1	1	1	1
13	6205-RSGB276	单列向心球轴承	Ball bearing	1	1	1	1	1
14	A14 × 22GB119	圆柱销	Dowel pin	1	1	1	1	1



活塞连杆总成  
PISTON & CONNECTING ROD ASSEMBLY



### 5. 活塞连杆总成

#### PISTON & CONNECTING ROD ASSEMBLY

柴油机型号				4RMP	R4105ZP4	R4105ZP6	R6105P	R6105ZP
供货号								
Delivery No.								
序号 Item	图号 Part No.	名称 Description	每套数量 Qty per set					
1	R105001	活塞	4				6	
	R120001	销套		4	4			6
2	R105002-1H	活塞环组合件	4	4	4		6	6
3	R105003	活塞销	4					



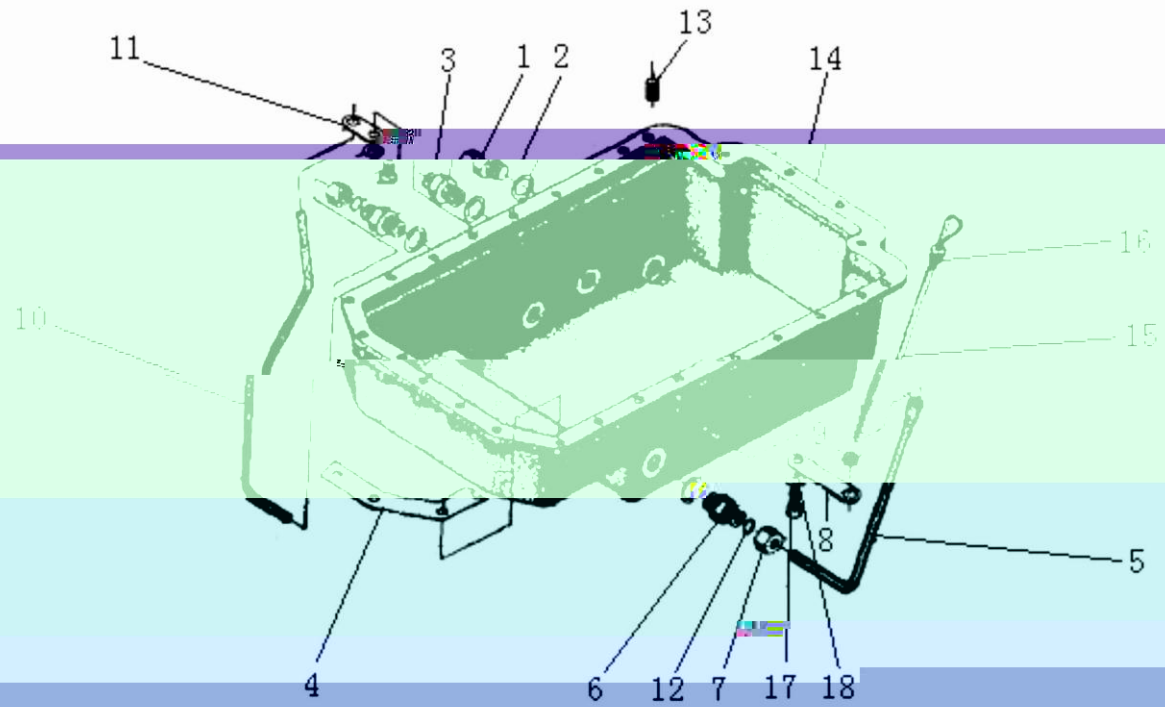
## 6. 齿轮系总成

### GEAR SYSTEM ASSEMBLY

柴油机型号				4RMP	R4105ZP4	R4105ZP6	R6105P	R6105ZP1
Model								
供货号								
Delivery No.								
序号	图号	名称		每台数量				
Item	Part No.	Description		Qty per set				
1	R060001-A	曲轴齿轮	Crankshaft gear	1	1	1	1	1
2	R060003-A	凸轮轴齿轮	Camshaft gear	1	1	1	1	1
3	R060004	凸轮轴齿轮挡圈	Camshaft gear retainer	1	1	1	1	1
4	R060005-A-1	喷油泵齿轮	Fuel injection pump	1	1	1	1	1



油底壳总成  
OIL SUMP ASSEMBLY

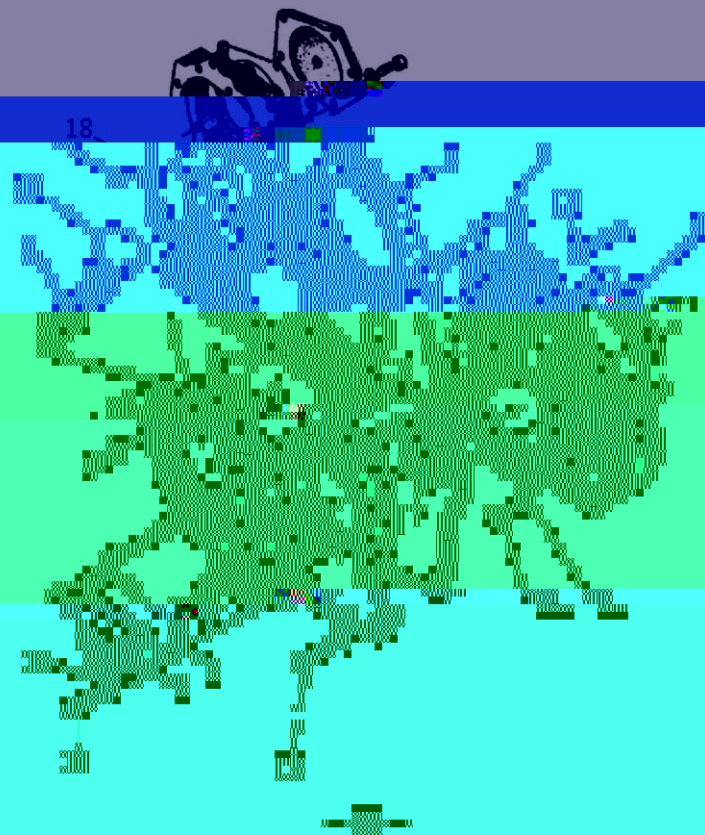


## 7. 油底壳总成 OIL SUMP ASSEMBLY

柴 油 机 型 号 Model				4RMP	R410SZP4	R410SZP6	R610SP	R610SZP1
供货号 Delivery No.								
序号 Item	图号 Part No.	名称 Description	每台数量 Qty per set					
1	R070001-A	放油螺塞 Oil drain plug	1	1	1	1	1	
2	R070002-1	螺塞垫圈 Washer, plug	4	4	4	4	4	
3	R070003-1	油底壳	1	1	1	1	1	
4	R070004-1	油底壳垫圈	1	1	1	1	1	
5	R070005-1	油底壳螺栓	4	4	4	4	4	
6	R070006-1	油底壳螺母	4	4	4	4	4	
7	R070007-1	油底壳垫圈	4	4	4	4	4	
8	R070008-1	油底壳垫圈	4	4	4	4	4	
9	R070009-1	油底壳垫圈	4	4	4	4	4	
10	R070010-1	油底壳垫圈	4	4	4	4	4	
11	R070011-1	油底壳垫圈	4	4	4	4	4	
12	R070012-1	油底壳垫圈	4	4	4	4	4	
13	R070013-1	油底壳垫圈	4	4	4	4	4	
14	R070014-1	油底壳垫圈	4	4	4	4	4	
15	R070015-1	油底壳垫圈	4	4	4	4	4	
16	R070016-1	油底壳垫圈	4	4	4	4	4	
17	R070017-1	油底壳垫圈	4	4	4	4	4	
18	R070018-1	油底壳垫圈	4	4	4	4	4	
19	R070019-1	油底壳垫圈	4	4	4	4	4	
20	R070020-1	油底壳垫圈	4	4	4	4	4	
21	R070021-1	油底壳垫圈	4	4	4	4	4	
22	R070022-1	油底壳垫圈	4	4	4	4	4	
23	R070023-1	油底壳垫圈	4	4	4	4	4	
24	R070024-1	油底壳垫圈	4	4	4	4	4	
25	R070025-1	油底壳垫圈	4	4	4	4	4	
26	R070026-1	油底壳垫圈	4	4	4	4	4	
27	R070027-1	油底壳垫圈	4	4	4	4	4	
28	R070028-1	油底壳垫圈	4	4	4	4	4	
29	R070029-1	油底壳垫圈	4	4	4	4	4	
30	R070030-1	油底壳垫圈	4	4	4	4	4	
31	R070031-1	油底壳垫圈	4	4	4	4	4	
32	R070032-1	油底壳垫圈	4	4	4	4	4	
33	R070033-1	油底壳垫圈	4	4	4	4	4	
34	R070034-1	油底壳垫圈	4	4	4	4	4	
35	R070035-1	油底壳垫圈	4	4	4	4	4	
36	R070036-1	油底壳垫圈	4	4	4	4	4	
37	R070037-1	油底壳垫圈	4	4	4	4	4	
38	R070038-1	油底壳垫圈	4	4	4	4	4	
39	R070039-1	油底壳垫圈	4	4	4	4	4	
40	R070040-1	油底壳垫圈	4	4	4	4	4	
41	R070041-1	油底壳垫圈	4	4	4	4	4	
42	R070042-1	油底壳垫圈	4	4	4	4	4	
43	R070043-1	油底壳垫圈	4	4	4	4	4	
44	R070044-1	油底壳垫圈	4	4	4	4	4	
45	R070045-1	油底壳垫圈	4	4	4	4	4	
46	R070046-1	油底壳垫圈	4	4	4	4	4	
47	R070047-1	油底壳垫圈	4	4	4	4	4	
48	R070048-1	油底壳垫圈	4	4	4	4	4	
49	R070049-1	油底壳垫圈	4	4	4	4	4	
50	R070050-1	油底壳垫圈	4	4	4	4	4	

柴油机型号 Model			4RMP	R4105ZP4	R4105ZP6	R6105P	R6105ZP1
供货号 Delivery No.							
序目	图目	名称					
[Redacted Content]							

正时齿轮室总成  
TIMING GEAR CASE ASSEMBLY



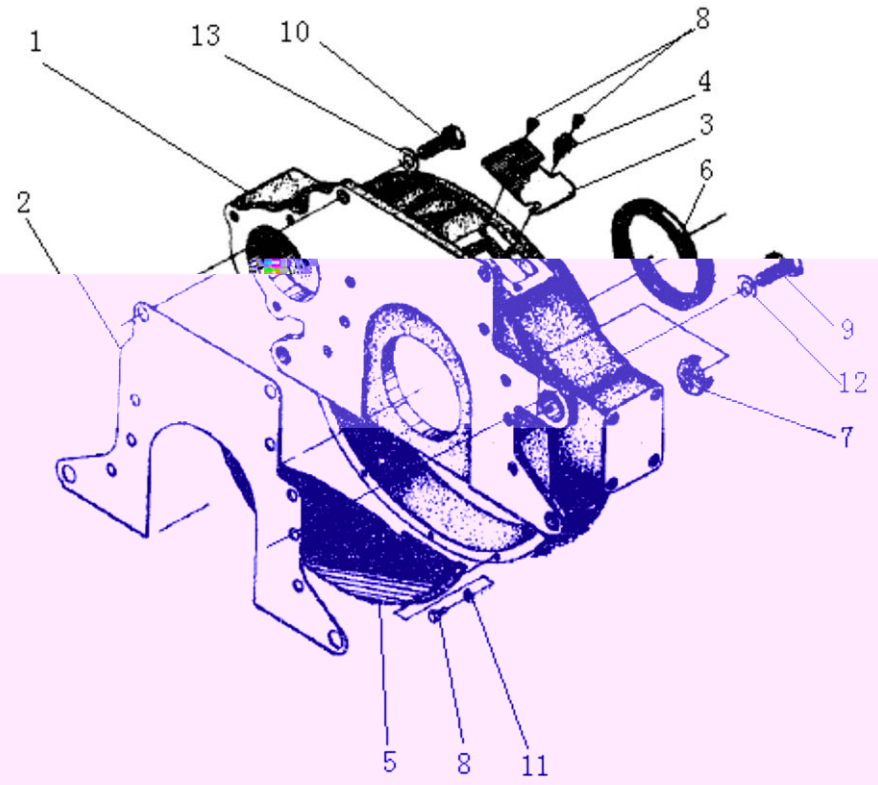
### 8. 正时齿轮室总成

#### TIMING GEAR CASE ASSEMBLY

柴油机型号 Model				4RMP	R4105ZP4	R4105ZP6	R6105P	R6105ZP1
供货号 Delivery No.								
序号 Item	图号 Part No.	名称 Description		每台数量 Q'ty per set				
1	R080001	正时齿轮室	Timing gear case	1			1	
2	RZ080001	正时齿轮室	Timing gear case		1	1		1
3	R080002	齿轮室垫片	Gasket,gear case	1	1	1	1	1
4	R080003	齿轮室盖垫片	Gasket,gear case cover	1	1	1	1	1
5	R080004	喷油泵检查孔盖	Cover,pump inspection window	1	1	1	1	1
6	R080005	喷油泵检查孔盖垫片	Gasket,pump inspecting window cover	1	1	1	1	1
7	R080006-A	曲轴前油封	Front oil seal,crankshaft	1	1	1	1	1
8	R080101	正时齿轮室盖	Cover,timing gear case	1	1	1	1	1
9	R080301-JH	加油口接管结合件	Oil filler pipe	1	1	1	1	1
10	R080303	加油口盖	Oil filler cap	1	1	1	1	1
11	M8 × 20GB5783	全螺纹六角头螺栓	Full thread hex bolt	5	5	5	5	5
12	M10 × 30GB5783	全螺纹六角头螺栓	Full thread hex bolt	19	19	19	19	19
13	M10 × 45GB5783	全螺纹六角头螺栓	Full thread hex bolt	1	1	1	1	1
14	M10 × 60GB5782	六角头螺栓	Hex bolt	1	1	1	1	1
15	M10 × 70GB5782	六角头螺栓	Hex bolt	10	10	10	10	10



后油封壳体总成  
REAR OIL SEAL HOUSING ASSEMBLY

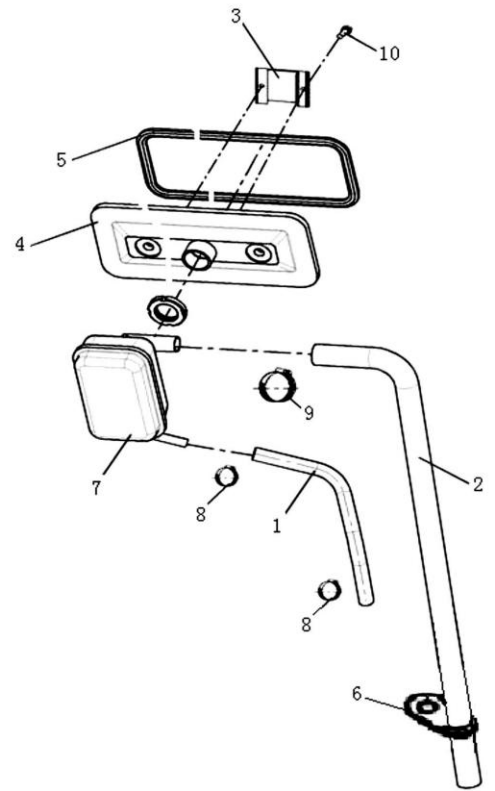


### 9. 后油封壳体总成

#### REAR OIL SEAL HOUSING ASSEMBLY

柴油机型号 Model				4RMP	R4105ZP4	R4105ZP6	R6105P	R6105ZP1
供货号 Delivery No.								
序号 Item	图号 Part No.	名称 Description		每台数量 Qty per set				
1	R090001	飞轮壳	Flywheel housing	1	1	1	1	1
2	R090002	飞轮壳垫片	Gasket,flywheel housing	1	1	1	1	1
3	R090003-1	检视窗盖	Cover,inspection window	1	1	1	1	1
4	R090004-1	指针	Pointer	1	1	1	1	1
5	R090005-A	盖板	Cover	1	1	1	1	1
6	R090006-A	曲轴后油封	Rear oil seal, crankshaft	1	1	1	1	1
7	R090007-1	堵塞	Plug	1	1	1	1	1
8	M6 × 12GB5783	全螺纹六角头螺栓	Full thread hex bolt	8	8	8	8	8
9	M10 × 30GB5783	全螺纹六角头螺栓	Full thread hex bolt	7	7	7	7	7
10	M14 × 35GB5783	全螺纹六角头螺栓	Full thread hex bolt	2	2	2	2	2
11	6GB97.1-140HV-Zn.D	平垫圈	Plain washer	5	5	5	5	5
12	10GB848-140HV-Zn.D	小垫圈	Small plain washer	7	7	7	7	7
13	6GB97.1-140HV-Zn.D	平垫圈	Plain washer	-	-	-	-	-

曲轴箱通风装置总成  
CRANKCASE VENTILATION ASSEMBLY



### 10. 曲轴箱通风装置总成

#### CRANKCASE VENTILATION ASSEMBLY

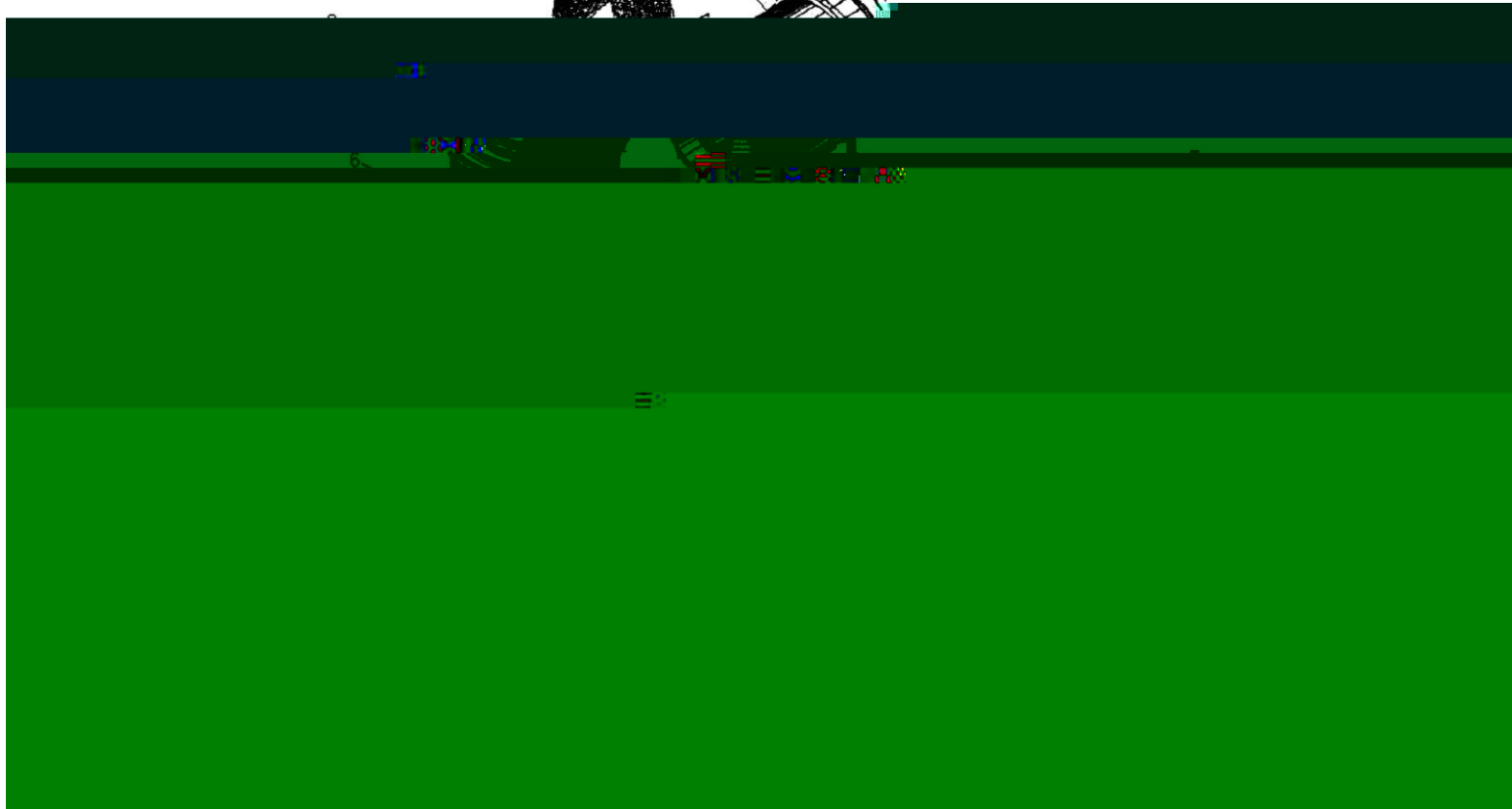
		A/C		14.05Z14	14.05Z15	14.05Z16	14.05Z17
		供货号					
		Delivery No.					
序号	零件号	名称	规格	数量			
Item	Part No.	Description	Dimension	Quantity			
1	0012001	油底壳	Oil Pan	1	1	1	1
2	0012001	油底壳	Oil Pan	1	1	1	1
3	0012001	油底壳	Oil Pan	1	1	1	1
4	0012001	油底壳	Oil Pan	1	1	1	1
5	0012001	油底壳	Oil Pan	1	1	1	1
6	0012001	油底壳	Oil Pan	1	1	1	1
7	0012001	油底壳	Oil Pan	1	1	1	1
8	0012001	油底壳	Oil Pan	1	1	1	1
9	0012001	油底壳	Oil Pan	1	1	1	1
10	0012001	油底壳	Oil Pan	1	1	1	1
11	0012001	油底壳	Oil Pan	1	1	1	1
12	0012001	油底壳	Oil Pan	1	1	1	1
13	0012001	油底壳	Oil Pan	1	1	1	1
14	0012001	油底壳	Oil Pan	1	1	1	1
15	0012001	油底壳	Oil Pan	1	1	1	1
16	0012001	油底壳	Oil Pan	1	1	1	1
17	0012001	油底壳	Oil Pan	1	1	1	1
18	0012001	油底壳	Oil Pan	1	1	1	1
19	0012001	油底壳	Oil Pan	1	1	1	1
20	0012001	油底壳	Oil Pan	1	1	1	1
21	0012001	油底壳	Oil Pan	1	1	1	1
22	0012001	油底壳	Oil Pan	1	1	1	1
23	0012001	油底壳	Oil Pan	1	1	1	1
24	0012001	油底壳	Oil Pan	1	1	1	1
25	0012001	油底壳	Oil Pan	1	1	1	1
26	0012001	油底壳	Oil Pan	1	1	1	1
27	0012001	油底壳	Oil Pan	1	1	1	1
28	0012001	油底壳	Oil Pan	1	1	1	1
29	0012001	油底壳	Oil Pan	1	1	1	1
30	0012001	油底壳	Oil Pan	1	1	1	1
31	0012001	油底壳	Oil Pan	1	1	1	1
32	0012001	油底壳	Oil Pan	1	1	1	1
33	0012001	油底壳	Oil Pan	1	1	1	1
34	0012001	油底壳	Oil Pan	1	1	1	1
35	0012001	油底壳	Oil Pan	1	1	1	1
36	0012001	油底壳	Oil Pan	1	1	1	1
37	0012001	油底壳	Oil Pan	1	1	1	1
38	0012001	油底壳	Oil Pan	1	1	1	1
39	0012001	油底壳	Oil Pan	1	1	1	1
40	0012001	油底壳	Oil Pan	1	1	1	1
41	0012001	油底壳	Oil Pan	1	1	1	1
42	0012001	油底壳	Oil Pan	1	1	1	1
43	0012001	油底壳	Oil Pan	1	1	1	1
44	0012001	油底壳	Oil Pan	1	1	1	1
45	0012001	油底壳	Oil Pan	1	1	1	1
46	0012001	油底壳	Oil Pan	1	1	1	1
47	0012001	油底壳	Oil Pan	1	1	1	1
48	0012001	油底壳	Oil Pan	1	1	1	1
49	0012001	油底壳	Oil Pan	1	1	1	1
50	0012001	油底壳	Oil Pan	1	1	1	1
51	0012001	油底壳	Oil Pan	1	1	1	1
52	0012001	油底壳	Oil Pan	1	1	1	1
53	0012001	油底壳	Oil Pan	1	1	1	1
54	0012001	油底壳	Oil Pan	1	1	1	1
55	0012001	油底壳	Oil Pan	1	1	1	1
56	0012001	油底壳	Oil Pan	1	1	1	1
57	0012001	油底壳	Oil Pan	1	1	1	1
58	0012001	油底壳	Oil Pan	1	1	1	1
59	0012001	油底壳	Oil Pan	1	1	1	1
60	0012001	油底壳	Oil Pan	1	1	1	1
61	0012001	油底壳	Oil Pan	1	1	1	1
62	0012001	油底壳	Oil Pan	1	1	1	1
63	0012001	油底壳	Oil Pan	1	1	1	1
64	0012001	油底壳	Oil Pan	1	1	1	1
65	0012001	油底壳	Oil Pan	1	1	1	1
66	0012001	油底壳	Oil Pan	1	1	1	1
67	0012001	油底壳	Oil Pan	1	1	1	1
68	0012001	油底壳	Oil Pan	1	1	1	1
69	0012001	油底壳	Oil Pan	1	1	1	1
70	0012001	油底壳	Oil Pan	1	1	1	1
71	0012001	油底壳	Oil Pan	1	1	1	1
72	0012001	油底壳	Oil Pan	1	1	1	1
73	0012001	油底壳	Oil Pan	1	1	1	1
74	0012001	油底壳	Oil Pan	1	1	1	1
75	0012001	油底壳	Oil Pan	1	1	1	1
76	0012001	油底壳	Oil Pan	1	1	1	1
77	0012001	油底壳	Oil Pan	1	1	1	1
78	0012001	油底壳	Oil Pan	1	1	1	1
79	0012001	油底壳	Oil Pan	1	1	1	1
80	0012001	油底壳	Oil Pan	1	1	1	1
81	0012001	油底壳	Oil Pan	1	1	1	1
82	0012001	油底壳	Oil Pan	1	1	1	1
83	0012001	油底壳	Oil Pan	1	1	1	1
84	0012001	油底壳	Oil Pan	1	1	1	1
85	0012001	油底壳	Oil Pan	1	1	1	1
86	0012001	油底壳	Oil Pan	1	1	1	1
87	0012001	油底壳	Oil Pan	1	1	1	1
88	0012001	油底壳	Oil Pan	1	1	1	1
89	0012001	油底壳	Oil Pan	1	1	1	1
90	0012001	油底壳	Oil Pan	1	1	1	1
91	0012001	油底壳	Oil Pan	1	1	1	1
92	0012001	油底壳	Oil Pan	1	1	1	1
93	0012001	油底壳	Oil Pan	1	1	1	1
94	0012001	油底壳	Oil Pan	1	1	1	1
95	0012001	油底壳	Oil Pan	1	1	1	1
96	0012001	油底壳	Oil Pan	1	1	1	1
97	0012001	油底壳	Oil Pan	1	1	1	1
98	0012001	油底壳	Oil Pan	1	1	1	1
99	0012001	油底壳	Oil Pan	1	1	1	1
100	0012001	油底壳	Oil Pan	1	1	1	1



空滤器总成  
AIR CLEANER ASSEMBLY

9

13

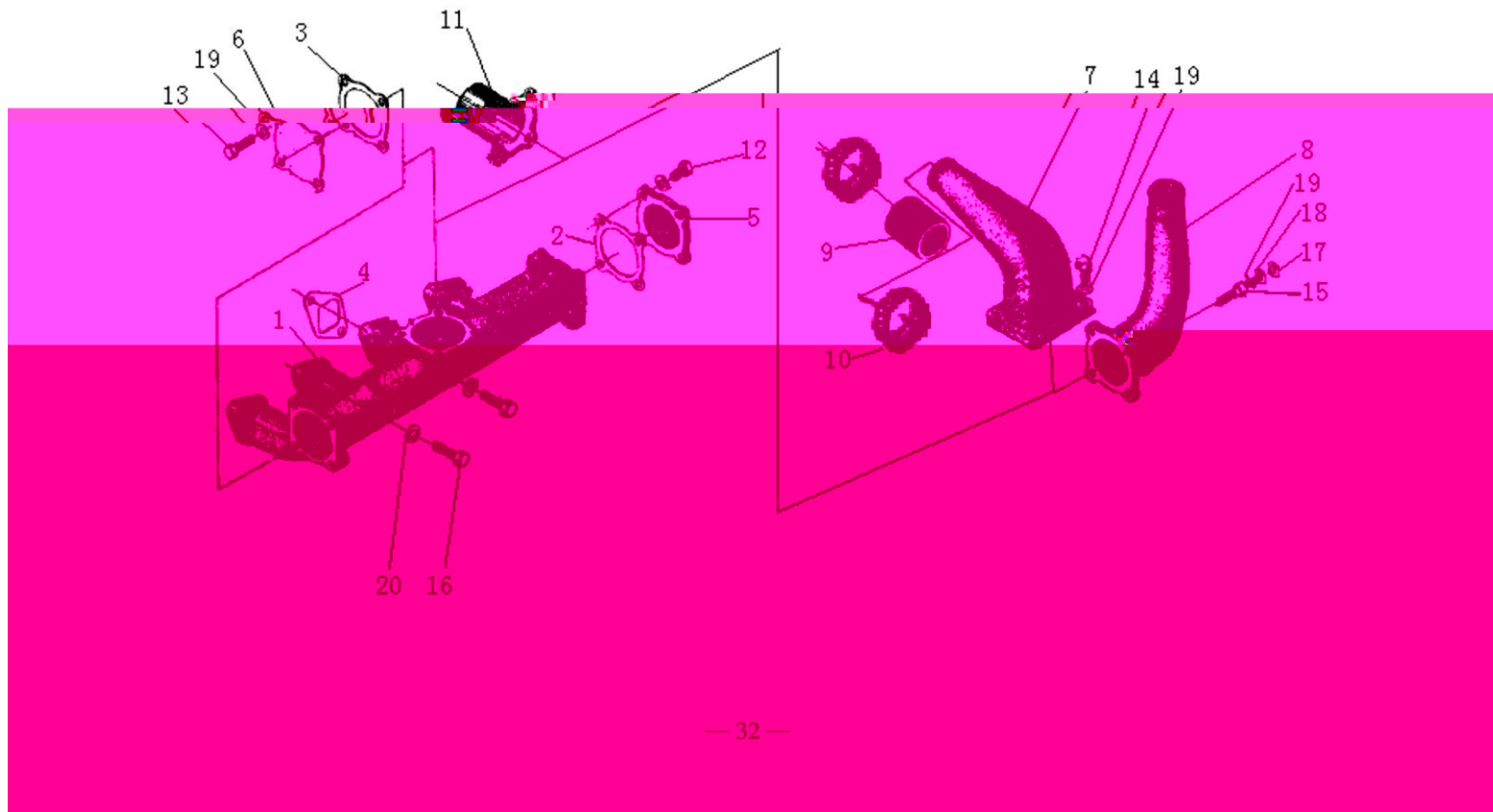


11. 空滤器总成  
AIR CLEANER ASSEMBLY

柴油机型号 Model				4RMP	R4105ZP4	R4105ZP6	R6105P	R6105ZP1
供货号 Delivery No.								
序号 Item	图号 Part No.	名称 Description	每台数量 Qty per set					
1	4RZG210001	胶管 Rubber hose		1	1			
2	6R1ZD1210001-1	空滤连接胶管 I Connecting rubber hose I,air cleaner						1
3	6R1ZD1210002-1	空气滤清器支架 Air cleaner support						1
4	6R1ZD1210005	空滤连接胶管 II Connecting rubber hose II,air cleaner						1
5	6R1ZD1210006	空滤胶管衬套 Bushing,air cleaner rubber hose						1
6	4RD210022	空滤接管衬套 Bushing,air cleaner rubber hose	1				2	
7	6R1Q210024	空滤卡箍垫片 Clamp gasket,air cleaner		1	1			
8	6R1ZD1210024	空滤卡箍垫片 Clamp gasket,air cleaner						2
9	495Z-07100	K2410 空气滤清器部件 Air cleaner subassembly	1				2	
	4R1ZD1210100	空气滤清器部件 Air cleaner subassembly			1	1		
	6R1Z210100	空气滤清器部件 Air cleaner subassembly						1
10	6R210300	胶管卡箍 Hose clamp		2	2			
12	4RZ210400	空滤器支架焊合件 Air cleaner support welding part		1	1			
	6R1Z210500	空滤卡箍焊合件 Air cleaner clamp subassembly		1	1			
13	6R1Z210500	空滤卡箍部件 Air cleaner clamp subassembly						2



进气管总成  
AIR INLET MANIPOLD ASSEMBLY



## 12. 进气管总成

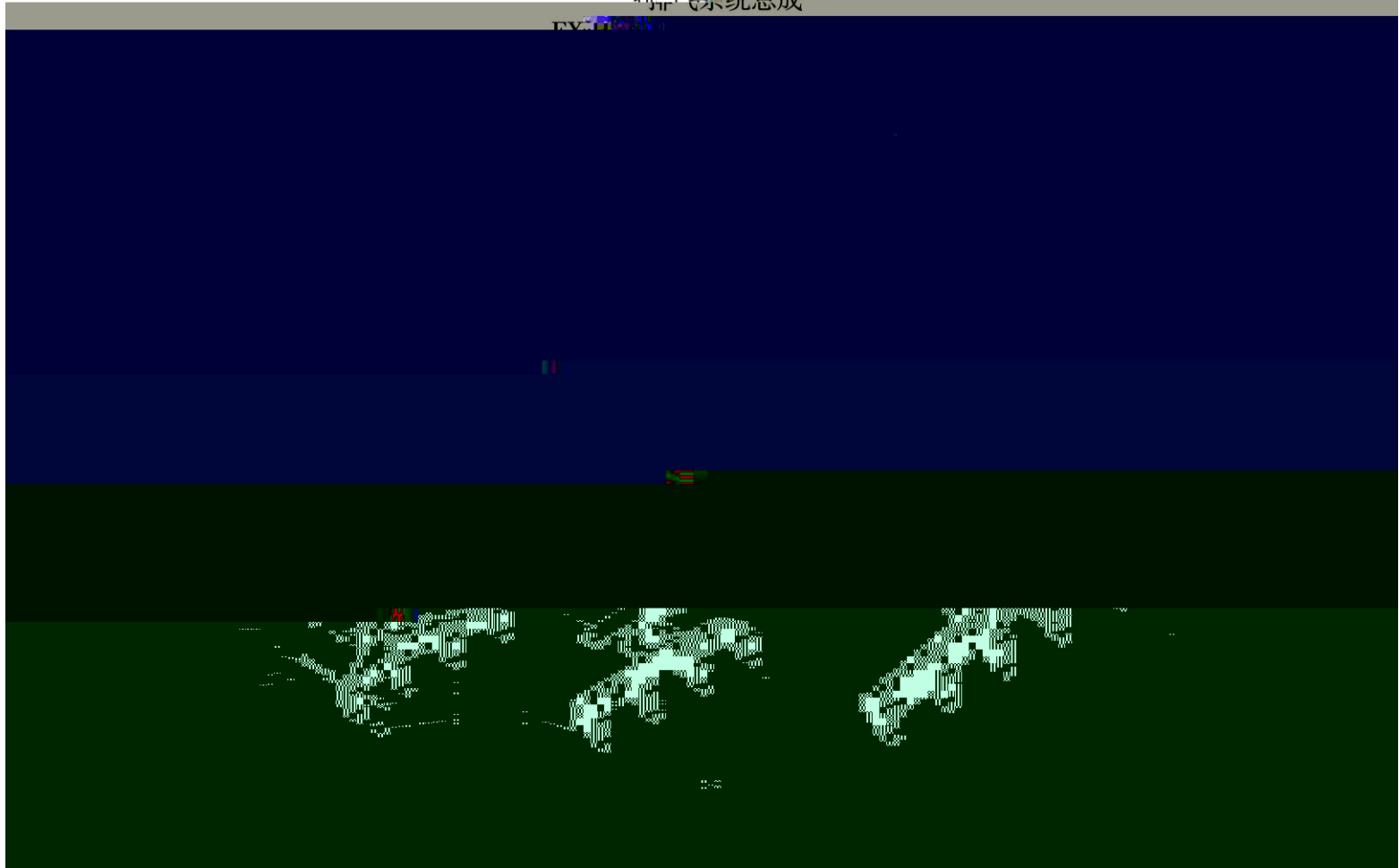
### AIR INLET MANIFOLD ASSEMBLY

		柴 油 机 型 号 Model	4RMP	R4105ZP4	R4105ZP6	R6105P	R6105ZP1		
		供货号 Delivery No.							
序号 Item	图号 Part No.	名称 Description	每台数量 Qty per set					件数 Pcs	重量 Kg
220001-1-A	进气管	Inlet manifold	1	1	1			1	4
220001	进气管	Inlet manifold				1		1	6
1G5220001	进气管	Inlet manifold					1	1	6
220002-1	进气接管垫片	Gasket,air inlet connecting pipe	3	3	3			2	4
220002	进气接管垫片	Gasket,air inlet connecting pipe				4	4	3	6
1G5220002	进气接管垫片	Gasket,air inlet connecting pipe					1	4	6
20003	进气歧管垫片	Inlet manifold gasket	4	4	4	6	6	4	6
220005-A	进气管盖板	Cover,inlet manifold	2	2	2			5	4
220005	进气管盖板	Cover,inlet manifold				2		6	6
1ZLD220005	进气管盖板	Cover,inlet manifold					2	6	6
1ZLD220006	进气管盖板	Cover,inlet manifold					1	7	4
1D220021	进气联接管	Air inlet connecting pipe		1	1			8	6
1Z220021	进气连接管	Air inlet connecting pipe					1	9	
1RZD220022	胶管	Rubber hose		1	1			9	
1R5ZD1-1-07022	进气胶管	Air inlet rubber hose					1		

柴油机型号 Model				4RMP	R4105ZP4	R4105ZP6	R6105P	R6105ZP1
供货号 Delivery No.								
序号 Item	图号 Part No.	名称 Description	每台数量 Q'ty per set					
14	M8 x 25GB5783	全螺纹六角头螺栓	Full thread hex bolt		4	4	10	12
15	M8 x 25GB898-HY	双头螺栓	Stud					1
16	M10 x 35GB5783	全螺纹六角头螺栓	Full thread hex bolt	8	8	8	12	12
17	M8GB6178	螺母	Hex nut					1
18	8GB93	垫圈	Washer					1

# 通信系统总成

通信系统总成

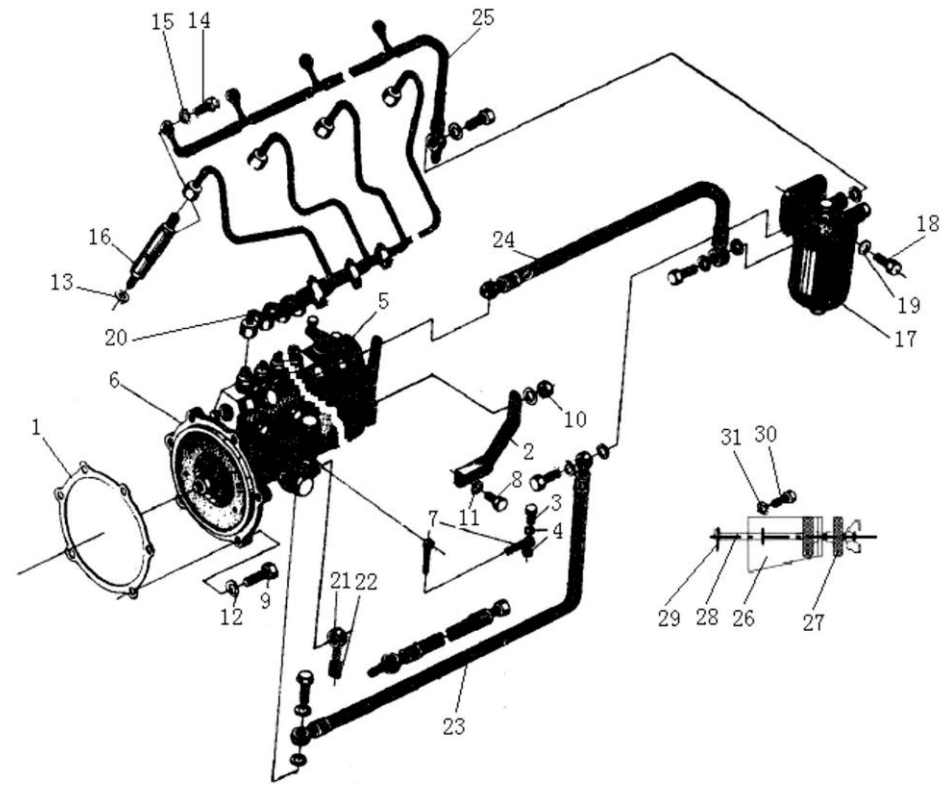


### 13. 排气系统总成 EXHAUST SYSTEM ASSEMBLY

柴油机型号 Model				4RMP	R4105ZP4	R4105ZP6	R6105P	R6105ZP1
供货号 Delivery No.								
序号 Item	图号 Part No.	名称 Description	每套数量 Qty per set					
1	4R230001	排气管	Exhaust manifold	1				
2	4RZD230001	排气管	Exhaust manifold		1	1		
	6R230001	排气管	Exhaust manifold				1	
3	6RZ230001	排气管	Exhaust manifold					1
4	R230002	排气歧管垫片	Exhaust manifold gasket	4	4	4	6	6
5	4R230003	排气接管垫片	Gasket,exhaust connecting pipe	1				
6	6R230003	排气接管垫片	Gasket,exhaust connecting pipe				1	
	4RZD230003	排气接管垫片	Gasket,exhaust connecting pipe		1	1		

柴 油 机 型 号 Model				4RMP	R4105ZP4	R4105ZP6	R6105P	R6105ZP1
供 货 号 Delivery No.								
序号 Item	图号 Part No.	名 称 Description		每 台 数 量 Q'ty per set				
14	M8 × 25GB5783	全螺纹六角头螺栓	Full thread hex bolt	4				
15	M10 × 25GB5783	全螺纹六角头螺栓	Full thread hex bolt		4	4		
16	M10 × 30GB5783	全螺纹六角头螺栓	Full thread hex bolt					4
17	M10 × 35GB5783	全螺纹六角头螺栓	Full thread hex bolt	8	8	8	14	12
18	M10 × 85GB5782	六角头螺栓	Hex bolt				4	
19	AM10 × 110GB898-A2-70	双头螺柱	Stud		4	4		
20	M10GB6170-A2-70	不锈钢六角头螺母	Stainless steel hex nut		4	4		
21	8GB848-140HV-Zn.D	小垫圈	Small washer	4				
22	10GB848-140HV-Zn.D	小垫圈	Small washer	8	14	14	16	16
23	10GB93	弹簧垫圈	Spring washer		12	12		12
24	4R240000	消声器总成	Silencer assembly	1				
25	4RZ240000	消声器总成	Silencer assembly		1	1	1	
26	6R1ZD1240000	增压器尾管部件	Turbocharger tail pipe					1

燃油系统总成  
FUEL SYSTEM ASSEMBLY



14. 燃油系统总成  
**PUEL SYSTEM ASSEMBLY**

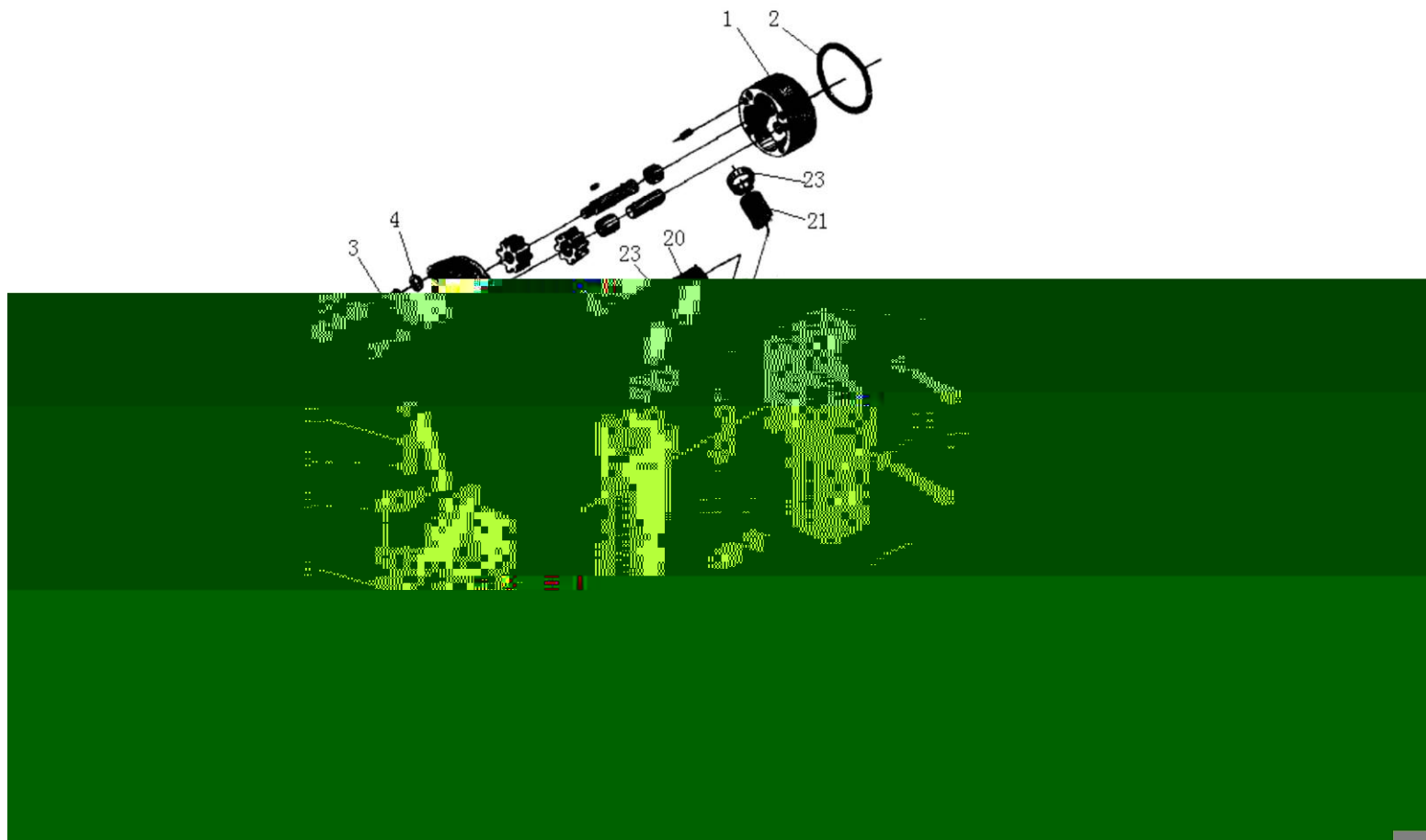
柴油机型号 Model		4RMP	R4105ZP4	R4105ZP6	R6105P	R6105ZP1	
供货号 Delivery No.							
序号 Item	图号 Part No.	名称 Description	每台数量 Qty per set				件数
R310001	喷油泵垫片	Gasket,fuel injection pump	1	1	1	1	1
R310002-A	喷油泵辅助支架	Auxiliary bracket for fuel injection pump	1	1	1		2
R310002-A	喷油泵辅助支架	Auxiliary bracket for fuel injection pump				1	1
R310003	管接螺钉	Banjo bolt				1	1
R310004	垫圈	Washer				2	2
95-10002	密封套筒	Seal sleeve				1	1
R1T310100-A	喷油泵部件	Fuel injection pump subassembly	1				
RZD310100-A	喷油泵部件	Fuel injection pump subassembly		1	1		
R1ZD1310100	喷油泵部件	Fuel injection pump subassembly					1
R1G1310100-A	喷油泵部件	Fuel injection pump subassembly				1	
R1ZT2310200	喷油泵润滑油管部件	Lubricating pipe subassembly,fuel injection pump	1	1	1	1	1
18 x 24	全螺纹六角头螺栓	Full thread hex bolt	2	2	2	2	2
M10 x 30GB5783	全螺纹六角头螺栓	Full thread hex bolt	4	4	4	4	4
M10GB6170-Zn.D	六角螺母	Hex nut	1	1	1	1	1
8GB848-140HV-Zn.D	小垫圈	Small washer	2	2	2	2	2

柴油机型号 Model				4RMP	R4105ZP4	R4105ZP6	R6105P	R6105ZP1
供货号 Delivery No.								

序号	图号	名称		每个数量				
Item	Part No.	Description		Q'ty per set				
12	10GB848-140HV-Zn.D	小垫圈	Small washer	4	4	4	4	4
13	R320001	喷油器密封垫	Injector seal washer	4	4	4	4	4
14	R320002	管接螺钉	Banjo bolt	4	4	4	4	4
15	R320003	垫圈	Washer	8	8	8	8	8
16	R1320100	喷油器部件	Injector subassembly	4	4	4	4	4
17	6R330100	柴油滤清器部件	Fuel filter subassembly	1	1	1	1	1
18	M8 × 0.75 × 17.83	全螺纹六角头螺栓	Full thread hex bolt	2	2	2	2	2
19	8GB848-140HV-Zn.D	小垫圈	Small washer	2	2	2	2	2
20	4R340000-A	高压油管总成	High pressure fuel pipe assembly	1	1	1		
	6R340000-A	高压油管总成	High pressure fuel pipe assembly				1	1
21	R350101	接头圈	Connector ring	1	1	1		1
	4R350101	接头圈	Connector ring				1	
	495-10632	油堵	Oil plug	1	1	1	1	1

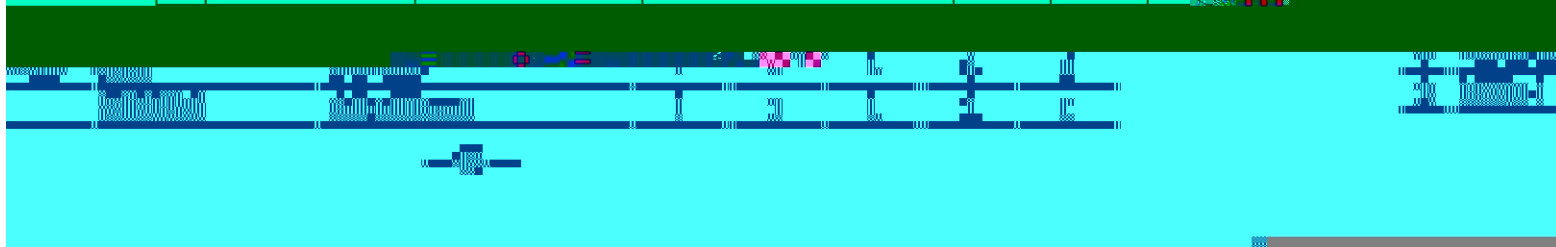
柴 油 机 型 号 Model				4RMP	R4105ZP4	R4105ZP6	R6105P	R6105ZP1
供货号 Delivery No.								
序号 Item	图号 Part No.	名称 Description		每台数量 Q'ty per set				
	6R1G20350300	喷油泵进油管部件	Fuel inlet pipe,fuel injection pump				1	1
25	4R350400-A-1	喷油嘴回油管部件	Fuel return pipe,injector	1	1	1		
	6R350400-A	喷油器回油管部件	Fuel return pipe,injector				1	1
26	RD370006	调速板	Governing plate	1	1	1	1	1
27	RD370007	手轮	Handwheel	2	2	2	2	2
28	4RD370009-A	调节杆	Adjusting rod	1	1	1		
	6RD370009-A	调节杆	Adjusting rod				1	1
29	1.6X12GB91-Zn.D	开口销	Split pin	1	1	1	1	1
30	M6 x 50GB5783	全螺纹六角头螺栓	Full thread hex bolt	2	2	2	2	2
31	6GB93	弹簧垫圈	Spring washer	2	2	2	2	2

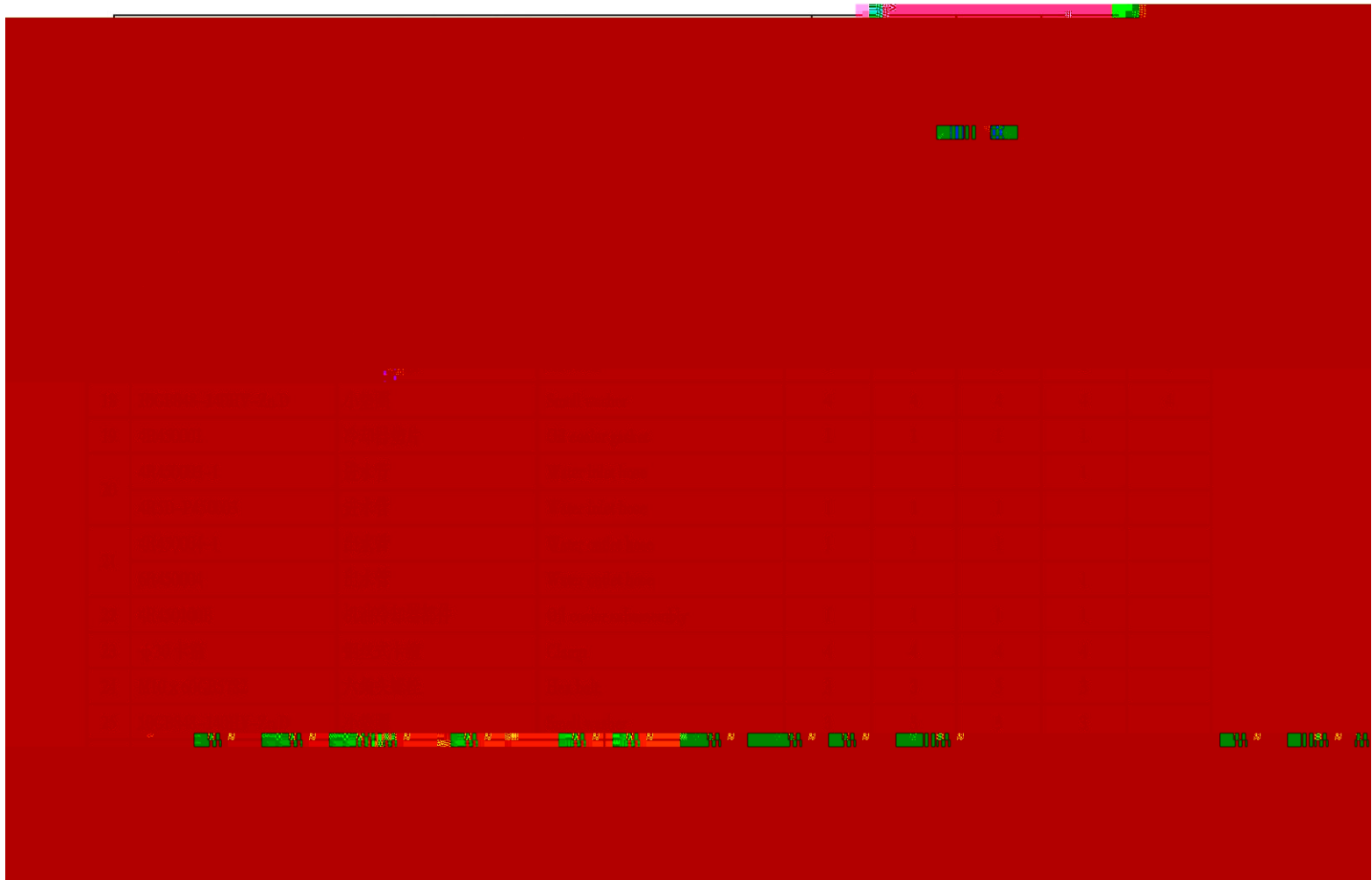
润滑系统总成  
LUBRICATING SYSTEM ASSEMBLY



15. 润滑系统总成  
LUBRICATING SYSTEM ASSEMBLY

柴 油 机 型 号				4RMP...	R4105ZP4	R4105ZP6	R6105P...	R6105ZP1
Model								
供货号								
Delivery No.								
序号	图号	名称	名称	每台数量				
Item	Part No.		Description	Qty per set				
1	4R410100-2	机油泵	Oil pump	1				
	6R410100-2	机油泵	Oil pump		1	1	1	
	6R1ZD1410100	机油泵	Oil pump					1
2	100 × 3.1GB1235-76	O 型橡胶密封圈	""O""seal ring"	2	2	2	2	2
3	M10 × 30GB5783	全螺纹六角头螺栓	Full thread hex bolt	2	2	2	2	2
4	10GB93	弹簧垫圈	Spring washer	2	2	2	2	2
5	4R420001	吸油管法兰垫片	Gasket,oil suction pipe flange	1	1	1	1	1
6	4R420100-1-JH	吸油管部件	Oil suction pipe subassembly	1	1	1		
	6R420100-2-JH	吸油管部件	Oil suction pipe subassembly				1	1
7	M8 × 25GB5783	全螺纹六角头螺栓	Full thread hex bolt	2	2	2	2	2
8	M10 × 16GB5783	全螺纹六角头螺栓	Full thread hex bolt	1	1	1	1	1
9	8GB848-140HV-Zn.D	小垫圈	Small washer	2	2	2	2	2

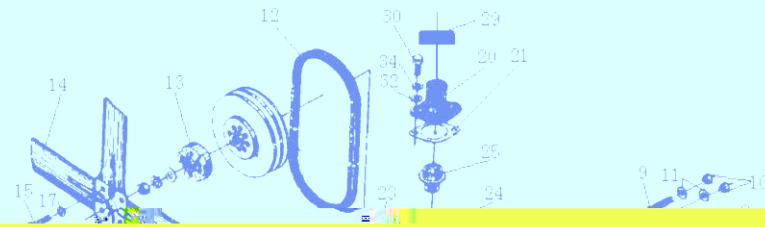






# 冷却系统总成

## COOLING SYSTEM ASSEMBLY



16. 冷却系统总成  
COOLING SYSTEM ASSEMBLY

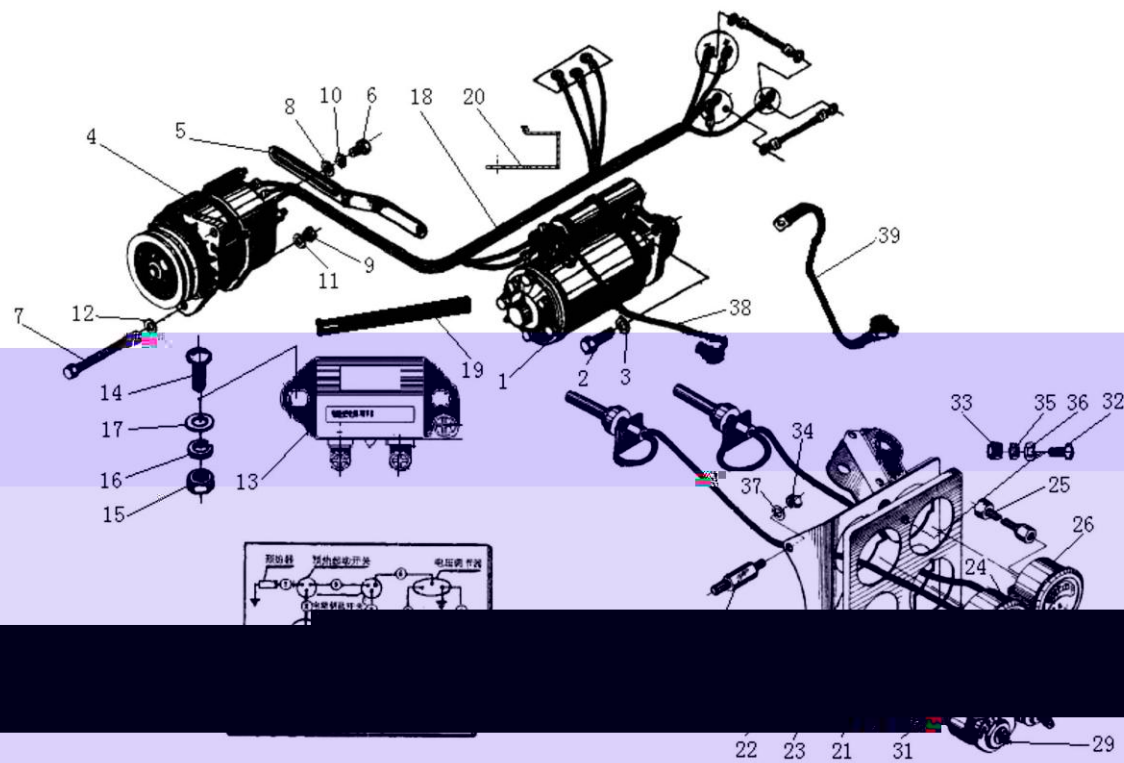
柴油机型号 Model				4RMP	R4105ZP4	R4105ZP6	R6105P	R6105ZP1
供货号 Delivery No.								
序号 Item	图号 Part No.	名称 Description	每台数量 Qty per set					
1	R510007	垫片	Gasket	1	1	1	1	1
2	R510009	垫片	Gasket	1	1	1	1	1
3	R510011	接管	Connecting pipe					
4	RD510011	接管	Connecting pipe	1				
5	6R1P510011	水泵接管	Water pump connecting pipe		1	1	1	
6	R510100	水泵部件	Water pump subassembly	1			1	1
	4R1H.1510100	水泵部件	Water pump subassembly		1	1		
7	M10×25GB21	全螺纹六角头螺栓	Full thread hex bolt	2	2	2	2	2
8	AM10×80GB898-8.8-HY	双头螺栓	Stud	3	3	3	3	3
9	AM10×85GB898-8.8-HY	双头螺栓	Stud	1	1	1	1	1
10	M10GB6170-Zn.D	六角螺母	Hex nut	4	4	4	4	4
11	10GB848=140HV-Zn.D	小垫圈	Small washer	6	6	6	6	6
12	R520001	传动皮带	Belt	2	2		2	2
13	4R1520003	垫块	Bed plate	1				
	4R1520003	垫块	Bed plate					

柴油机型号				4RMP	R4105ZP4	R4105ZP6	R6105P	R6105ZP1
Model								
供货号								
Delivery No.								
序号	图号	名称		每套数量				
Item	Part No.	Description		Q'ty per set				
14	495-06120(B)	风扇组件	Fan subassembly	1				
	4R1ZD1520100	风扇部件	Fan subassembly		1	1		
	6R1ZD520100	风扇部件	Fan subassembly					1
	6R520100	风扇部件	Fan subassembly				1	
15	M9-40CR5282	合楔纹三角头螺栓	Full thread hex bolt	4			4	

柴油机型号 Model				4RMP	R4105ZP4	R4105ZP6	R6105P	R6105ZP1
供货号 Delivery No.								
序号 Item	图号 Part No.	名称 Description	每台数量 Q'ty per set					
27	R070002	螺塞衬套	Washer	1	1	1	1	1
28	R070003	温度表接头	Temperature gauge adapter	1	1	1	1	1
29	R940202	防护套	Protection cover		1	1	1	1
30	M8 × 25GB5783	全螺纹六角头螺栓	Full thread hex bolt	2	2	2	2	2
31	M10 × 30GB5783	全螺纹六角头螺栓	Full thread hex bolt	2	2	2	2	2
32	8GB848-140HV-Zn.D	小垫圈	Small washer	2	2	2	2	2
33	10GB848-140HV-Zn.D	小垫圈	Small washer	2	2	2	2	2
34	8GB93	弹簧垫圈	Spring washer		2	2	2	2
35	6R540002	水箱出水胶管	Water out hose, radiator		1	1	1	
36	6R540003-1	水箱进水胶管	Water in hose, radiator	1	1	1	1	
	6R1Z540003	水箱进水胶管	Water in hose, radiator					2
37	4R540006	垫块	Bed plate	2				
38	4R540100	水箱部件	Radiator subassembly	1				
	6R1ZD1540105	水箱部件	Radiator subassembly		1	1	1	
	6R1ZD1540100	水油复合散热器	Radiator subassembly					1
39	6R1ZD1540200	水箱进油管组件	Oil inlet pipe, radiator					1



电器系统总成  
ELECTRICAL SYSTEM ASSEMBLY



### 17. 电器系统总成

#### ELECTRICAL SYSTEM ASSEMBLY

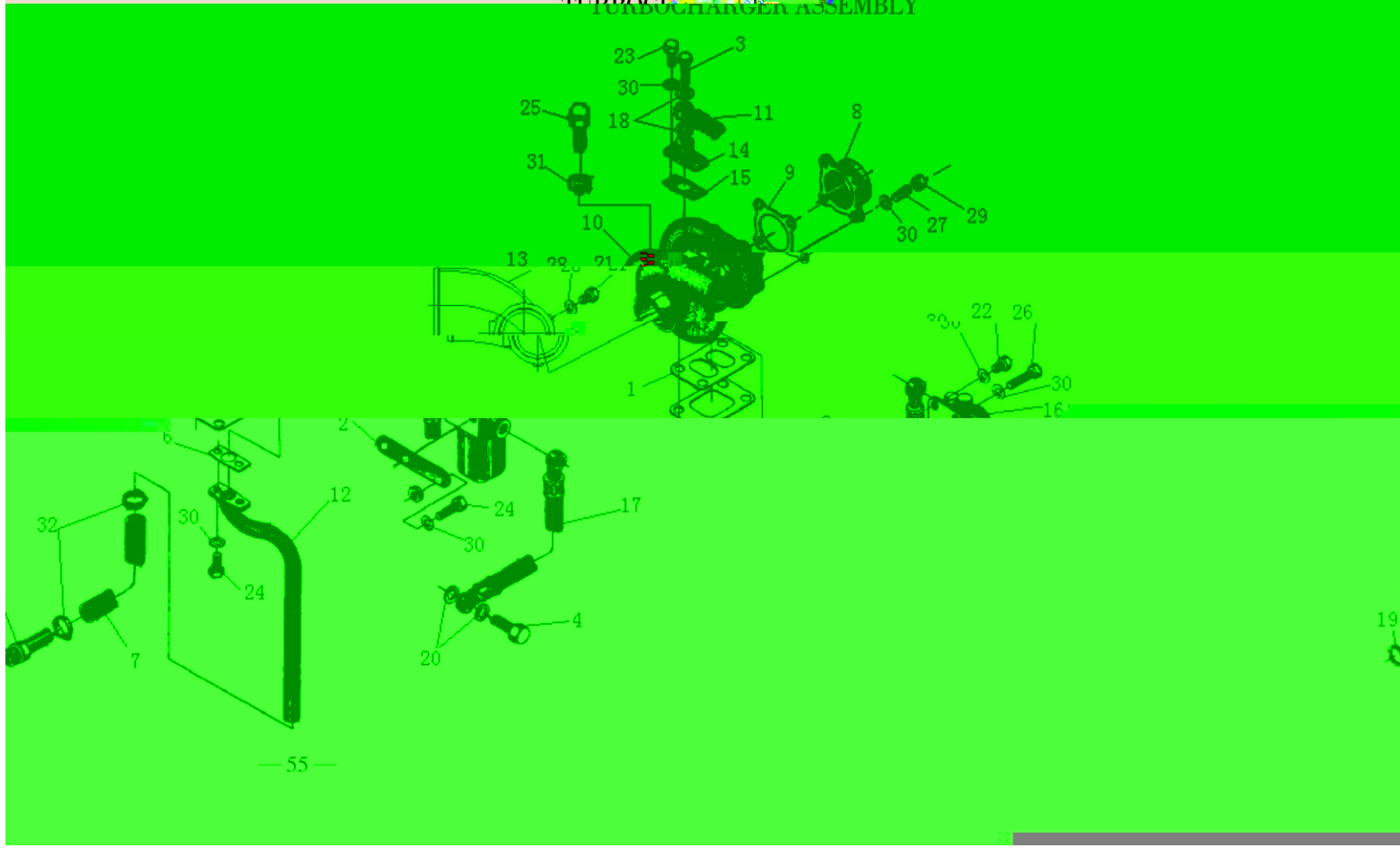
柴 油 机 型 号 Model				4RMP	R4105ZP4	R4105ZP6	R6105P	R6105ZP1
供 货 号 Delivery No.								
序号 Item	图号 Part No.	名 称 Description		每 台 数 量 Qty per set				
1	4RG610100-A	起动电机部件	Starter motor subassembly	1	1	1	1	1
2	M10×30GB5783	全螺纹六角头螺栓	Full thread hex bolt	3	3	3	3	3
3	10GB848-140HV-Zn.D	小垫圈	Small washer	3	3	3	3	3
4	6R620100	发电机部件	Charging alternator subassembly	1	1	1	1	1
5	4R620001-B	发电机调节架	Alternator adjusting bracket	1	1	1	1	1
6	M8×25CB5783	全螺纹六角头螺栓	Full thread hex bolt	1	1	1	1	1
	7	R620005	发电机螺栓	Alternator bolt	1	1	1	1
	8	R620006	加厚大垫圈	Thick big washer	1	1	1	1
9	M10GB6170-Zn.D	六角螺母	Hex nut	1	1	1	1	1
10	8GB93	弹簧垫圈	Spring washer	1	1	1	1	1
11	10GB93	弹簧垫圈	Spring washer	1	1	1	1	1
12	10GB848-140HV-Zn.D	小垫圈	Small washer	1	1	1	1	1
13	495K1-12300	电压调节器	Voltage regulator	1	1	1	1	1
14	M6×12GB5783	全螺纹六角头螺栓	Full thread hex bolt	2	2	2	2	2
15	M6GB6170-8-HY	六角螺母	Hex nut	2	2	2	2	2

		柴 油 机 型 号 Model		4RMP	R4105ZP4	R4105ZP6	R6105P	R6105ZP1	
		供货号							
		Delivery No.							
图号 Part No.	名称 Description		每台数量 Qty per set						序 号
6GB893	弹簧垫圈	Spring washer	2	2	2	2	2		1
6GB97.1-140HV-Zn.D	平垫圈	Plain washer	2	2	2	2	2		1
4R1650100-JH	4R 电线束结合件	Wire harness subassembly	1	1	1				1
6R1650100-JH	6R 电线束结合件	Wire harness subassembly					1	1	1
4R3D650200	电线套管	Wire harness tube	1	1	1	1	1		1
6R1D1650201	电线套管部件	Wire harness tube					1	1	1
4R3D650001	电线套管夹子	Clamp, wire harness	2	2	2	2	2		2
4R3D650001-1	电线套管夹子	Clamp, wire harness					3	3	2
495G-12701	仪表盘	Gauge panel	1	1	1	1	1		2
495G-12710	仪表盘架焊合件	Gauge panel bracket welding part	1	1	1	1	1		2
95G-12720	减震器组件	AVM pads subassembly	3	3	3	3	3		23
95G-12620	油温表	Oil temperature gauge	1	1	1				24
6R1D1660200	油温表	Oil temperature gauge					1	1	25
6R1D1660300	机油压力表组件	Oil pressure gauge subassembly	1	1	1	1	1		25
95G-12630	电流表	Ampere meter	1	1	1	1	1		26
95G-12610	水温表	Water temperature gauge	1	1	1				27

柴 油 机 型 号 Model				4RMP	R4105ZP4	R4105ZP6	R6105P	R6105ZP1
供 货 号 Delivery No.								
序号 Item	图号 Part No.	名 称 Description		每 台 数 量 Qty per set				
28	495G-12660	电路钥匙开关	Key switch	1	1	1	1	1
29	495G-12650-1	起动开关	Starting switch	1	1	1	1	1
30	4RD1660003	支柱	Spacer	2	2	2	2	2
31	495G-12670	压力表管组件	Pressure gauge tube subassembly	1	1	1		
	6B1066000	压力表管组件	Pressure gauge tube subassembly				1	1
32	M4 x 9GB67-Zn.D	开槽盘头螺钉	Screw	3	3	3	3	3
33	M4GB6170-8-HY	六角螺母	Hex nut	3	3	3	3	3
34	M8GB6170-Zn.D	六角螺母	Hex nut	2	2	2	2	2
35	4GB93	弹簧垫圈	Spring washer	3	3	3	3	3
36	4GB97.1-140HV-ZnD	平垫圈	Flat washer	3	3	3	3	3
	SC1838-140HV-Zn.D	小垫圈	Small washer	2	2	2	2	2
	B95G-12820	带钩式电缆夹	Barbed cable	1	1	1	1	1
	B95G-12820	带钩式电缆夹	Barbed ground cable	1	1	1	1	1

增压器总成

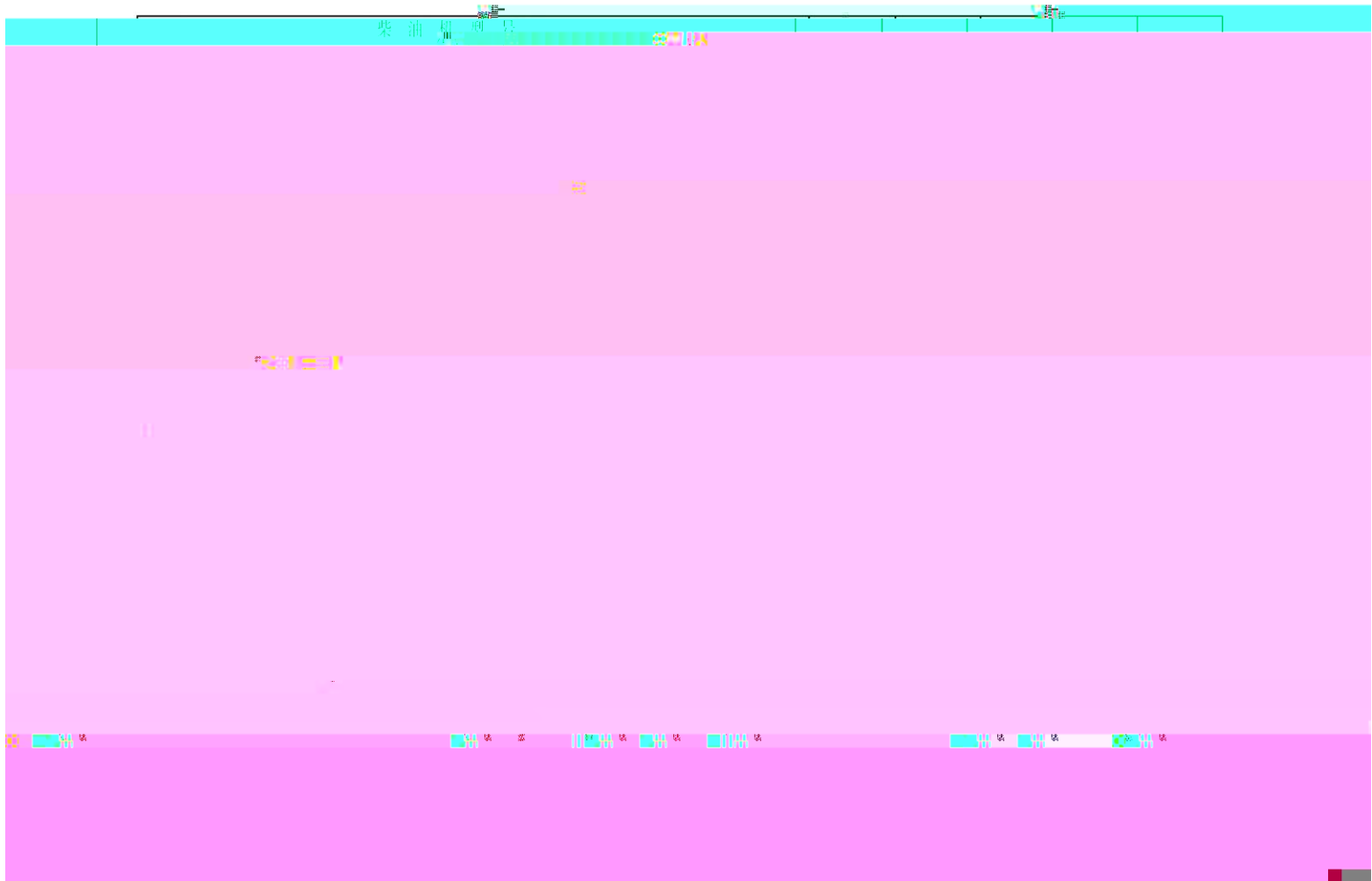
TURBOCHARGER ASSEMBLY



### 18. 增压器总成

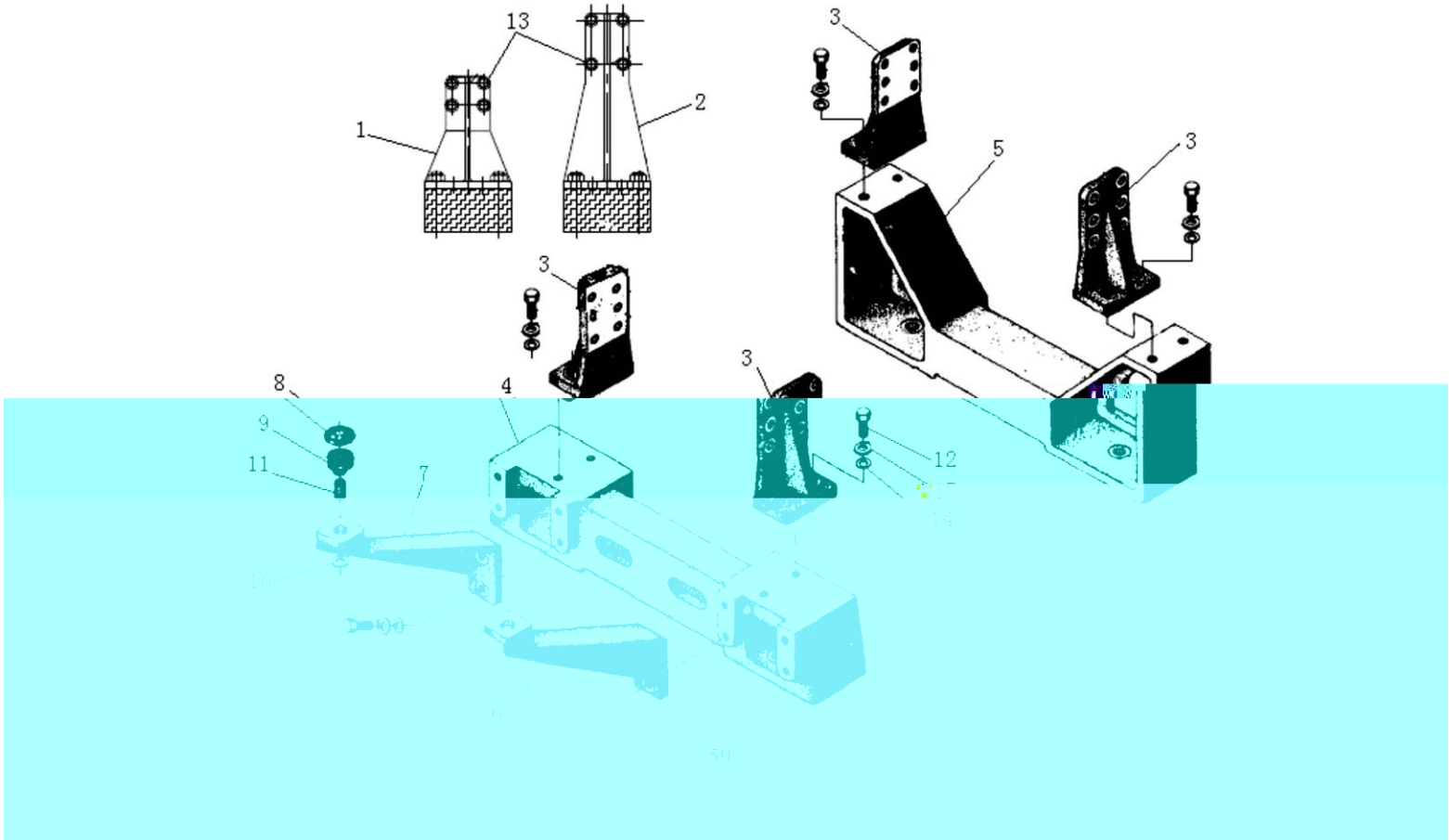
#### TURBOCHARGER ASSEMBLY

柴 油 机 型 号 Model				4RMP	R4105ZP4	R4105ZP6	R6105P	R6105ZP1
供 货 号 Delivery No.								
序号 Item	图号 Part No.	名 称 Description		每 台 数 量 Qty per set				
1	RZ730001	增压器垫片	Turbocharger gasket					1
2	4RZ730002	机滤器支架	Bracket,oil filter		1	1		
	6R1Q330021	柴油滤清器支架	Bracket,fuel filter					1
3	495Z-23004	接头螺钉	Banjo bolt		1	1		
	6R1ZD1730002	铰接螺栓	Banjo bolt					1
4	4RZT730003-1	管接螺钉	Banjo bolt		1	1		1
5	RZ730004	回油管接头	Adaptor,oil drain pipe		1	1		1
6	495ZD-1-23002	回油法兰垫片	Gasket,oil drain flange		1	1		
	6RZQ730008	回油法兰垫片	Gasket,oil drain flange					1
7	4RZD730009	回油接管	Oil drain rubber hose		1	1		
	6R1ZD1730009	回油胶管	Oil drain rubber hose					1
8	4RZ730011	增压器排气法兰	Exhaust flange,turbochager		1	1		
9	4RZ730012	增压器排气法兰垫片	Gasket,exhaust flange		1	1		



柴 油 机 型 号 Model				4RMP	R4105ZP4	R4105ZP6	R6105P	R6105ZP1
供货号 Delivery No.								
序号 Item	图号 Part No.	名称 Description		每台数量 Q'ty per set				
25	M10 × 25A2-70GB5783	全螺纹六角头螺栓	Full thread hex bolt					4
26	M8 × 30GB5783	全螺纹六角头螺栓	Full thread hex bolt		1	1		
27	AM8 × 20GB898-A2-70	双头螺柱	Stud		4	4		
28	M6GB6170-8-HY	六角螺母	Hex nut		3	3		
29	M8GB6170-Zn.D	六角螺母	Hex nut		4	4		
30	8GB848-140HV-Zn.D	小垫圈	Small washer		11	11		4
31	10GB848-A140	不锈钢垫圈	Stainless steel washer					4
32	Φ32 钢丝卡箍	Φ32 钢丝卡箍部件	Steel wire clamp subassembly		2	2		2

支架底座总成  
BRACKET AND SUPPORT SEAT ASSEMBLY



### 19. 支架底座总成

#### BRACKET AND SUPPORT SEAT ASSEMBLY

柴油机型号 Model				4RMP	R4105ZP4	R4105ZP6	R6105P	R6105ZP1
供货号 Delivery No.								
序号 Item	图号 Part No.	名称 Description		每台数量 Qty per set				
1	6RD920011-A	前支架	Front support					2
2	6RD920012-A	后支架	Rear support					2
3	R1P740025-A	支架	Support	4	4	4	4	
4	R1P740026-A	前底架	Front base support	1	1	1	1	
5	R1P740027-A	后底架	Rear base support	1	1	1	1	
6	R1P740028-A	水箱左悬支架	Left bracket,radiator	1	1	1	1	

R1P740029-A	水箱右悬支架	Right bracket,radiator	1	1	1				7
495G-16106	水箱垫圈	Rubber cushion	2	2	2	2			8
495G-16107	水箱胶垫(甲)	Rubber cushion(I)	2	2	2	2			9
495G-16108	水箱胶垫(乙)	Rubber cushion(II)	2	2	2	2			10
495G-16109	胶垫套管	Rubber cushion sleeve	2	2	2	2			11
M12×30GB5783	全螺纹六角头螺栓	Full thread hex bolt	28	28	28	28			12
M12×35GB5783	全螺纹六角头螺栓	Full thread hex bolt					16		13
12GB848-140HV-Zn.D	小垫圈	Small washer	28	28	28	28			14
12GB859	轻型弹簧垫圈	Spring wssher	28	28	28	28	16		15

离合器总成  
CLUTCH ASSEMBLY



